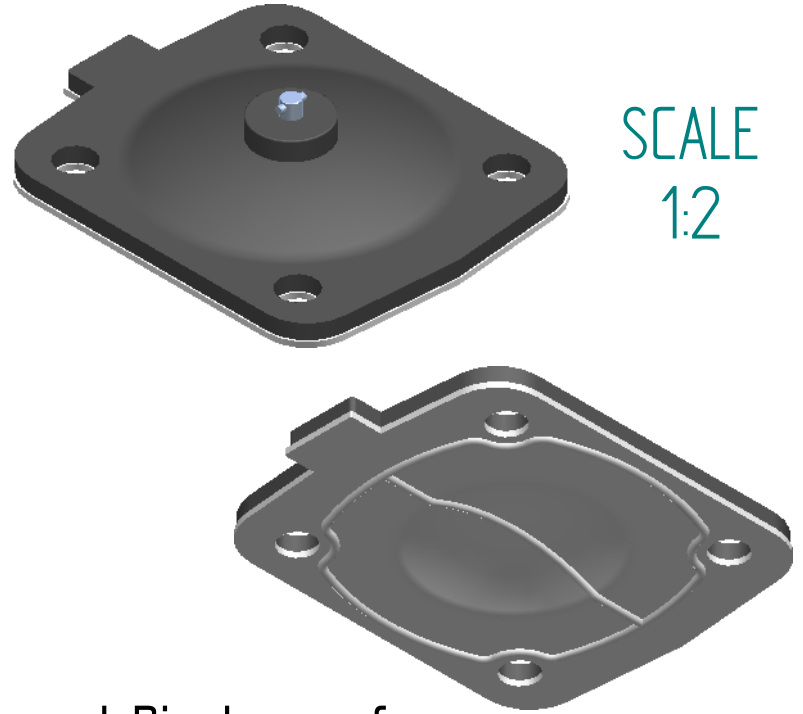


REVISION HISTORY			
REV	DESCRIPTION	DATE	APPROVED
A	New OEM PART - A-050EX-2"	09/03/22	JB



Replacement Diaphragm for :-
 OEM PART NUMBER = A-050EX-2"
 USED ON 2" (DN50) Diaphragm Valve

	NAME	DATE
DRAWN	M. MC KEON	03/08/22
CHECKED		



Material -
SILICONE BACKING
TFM - DIAPHRAGM

TITLE
DD20-STFM-X

Complies with CFR 177.2600
 and Conforms to
 USP Class VI Biological Reactivity
 Tests Section #87 and #88

SIZE	FOOT PRINT DIMENSIONS	REV
A		A
FILE NAME: DD20-STFM-X.dft		
SCALE: 1 : 125	Job: 41	SHEET 1 OF 1

Disclaimer - Diaphragm Direct® does not manufacture, represent, nor sell OEM valves or diaphragms manufactured by any other company. Diaphragm Direct® brand diaphragms are not sponsored by any other manufacturers. Any name, model, part number, brand, image, material or referral is for descriptive purposes only. Diaphragm Direct® brand replacement diaphragms are guaranteed to fit OEM equipment and meet or exceed OEM specifications. Diaphragm Direct® brand replacement diaphragms are covered by the standard Diaphragm Direct® limited product warranty.